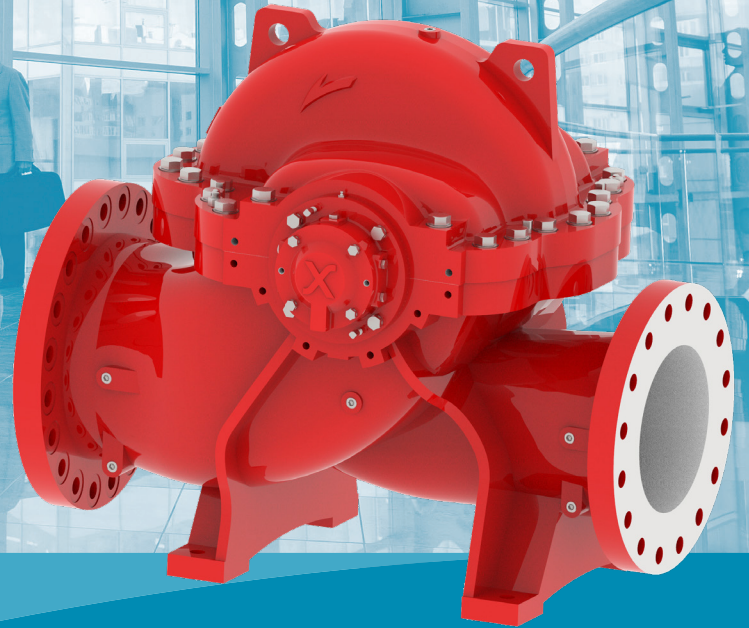


xylem
Let's Solve Water



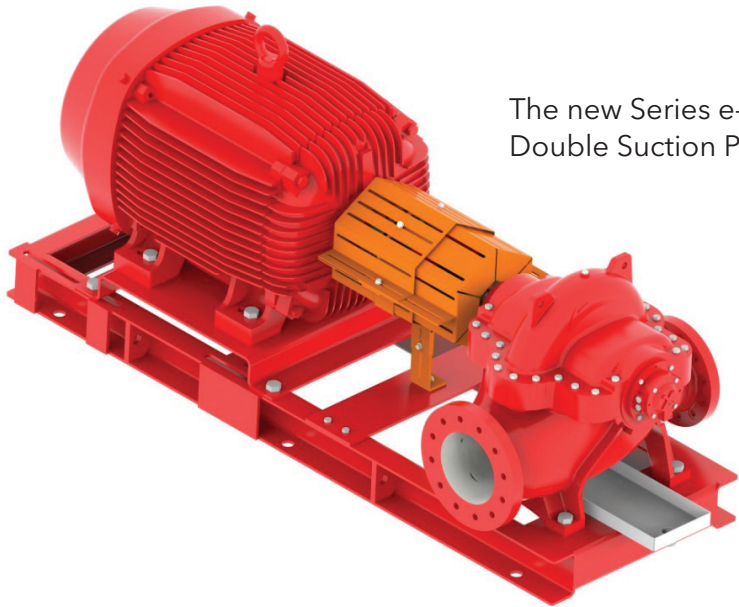
Series e-HSC

Double Suction Centrifugal Pumps

EASY TO SERVICE AND HARD TO BEAT
BUILT ON A LEGACY OF PUMP INNOVATION

B-320A

 **Bell & Gossett**
a xylem brand



The new Series e-HSC
Double Suction Pump

More powerful, energy efficient, and reliable.

Although every building is unique in architecture and operation, they all rely on an HVAC system to ensure the comfort, well-being and productivity of their occupants. And although there are different designs and approaches to achieving proper indoor environmental control, a centrifugal pump plays a critical role in the performance of chillers, boilers, cooling towers, and hydronic distribution systems.

Designed and manufactured by the global leader in hydronic pump technology, the new Series e-HSC double suction pump provides engineers, contractors, and building owners a more powerful, serviceable, and efficient solution for a wide range of critical HVAC applications.



HOSPITALS



**SHOPPING
CENTERS
AND MALLS**



**HOTELS AND
RESORTS**



**SPORTS
ARENAS**



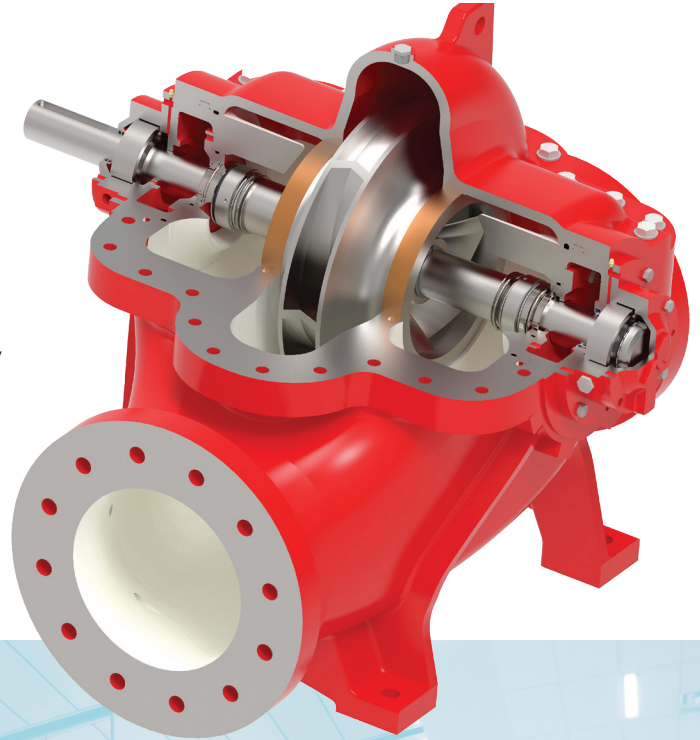
**OFFICE
TOWERS**



AIRPORTS

Features & benefits

- **Longer running life:** thanks to a shorter shaft that reduces vibrations, this pump can run up to 3x as long (100,000 hours within the preferred operating range) before the bearings need to be changed.
- **More powerful:** with a flow rate of up to 26,600 gpm the new e-HSC can easily handle large capacity systems and higher head.
- **Ease of serviceability:** to save time and reduce downtime, the mechanical seal and bearings can be easily accessed without opening the upper casing. And with the standard spacer coupling, both can be changed easily.
- **Suitable for any installation:** the design of the seal chamber and mechanical seals works with any incoming pressure and eliminates the need for an external flushing solution
- **Peace of mind:** backed by Xylem's responsive, knowledgeable distribution network, this pump offers the reliable service and rugged engineering you expect from the world's leading water technology company.
- **More efficient:** each model has been optimized to balance efficiency and suction head requirements, and the completeness of the range means that there is a pump for every flow requirement within 10% of BEP.



Applications

- Chillers
- Cooling towers
- Distributive pumping
- District cooling and heating applications
- Primary & secondary pumping for HVAC
- Process application in HVAC Markets

Technical overview

- Number of versions: 90
- Maximum flow: 26,600 gpm
- Maximum head: 870 ft.
- Nominal pressure: 175 psi up to 400
- Temperature range: -4°F to 250°F
- Casing: Cast Iron with optional Ductile Iron
- Flange pressure: 5 Standard 150 lb design, optional 250 lb design
- Impeller: AISI 304 with optional Bronze and 316 SS
- Standard mechanical seal: Carbon/Sic
- O ring: EPDM

With the new Series e-HSC double suction pumps, selection, commissioning and service has never been easier.



1

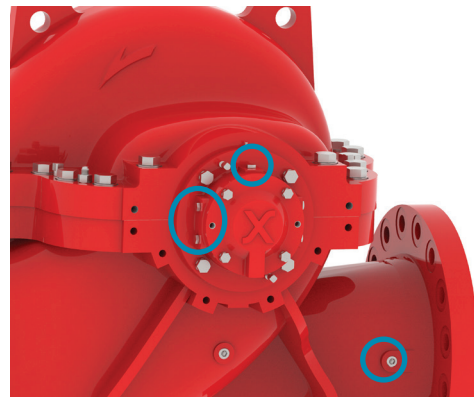
Easy to Select

- Systemwize® integration
- Wide range (90) with options to find the right pump
- Variable Speed Drive Options
- More customer service resources

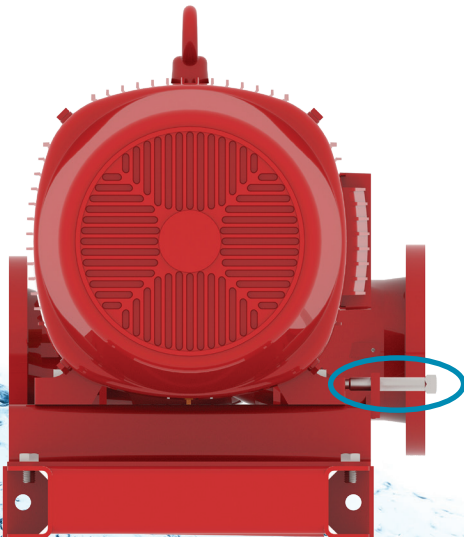
2

Easy to Commission

- Pump registration: one more year of warranty for free.
- Standard alignment jacking screws for easier motor alignment
- Ready to be monitored: pressure, vibration, temperature sensors



Monitoring Ports Standard



3

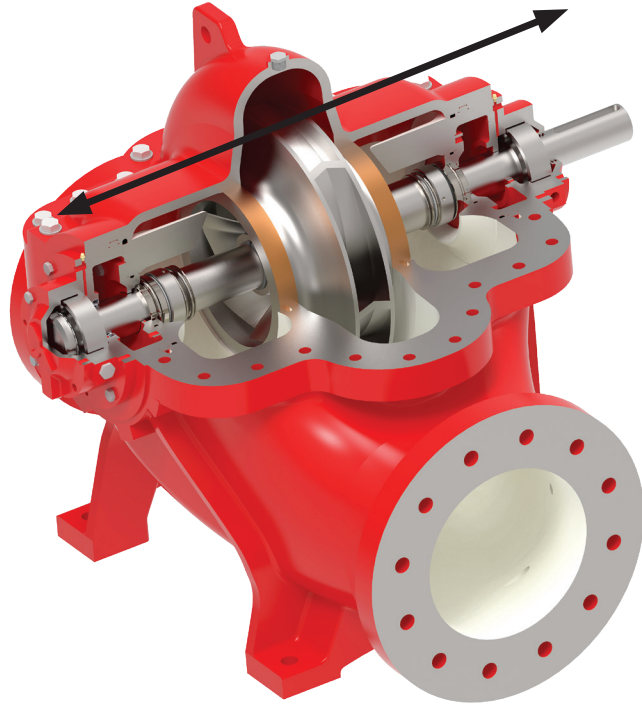
Easy to Service

- Designed for ease of maintenance
- QR codes link to product information
- How To Service videos
- Maintenance kits

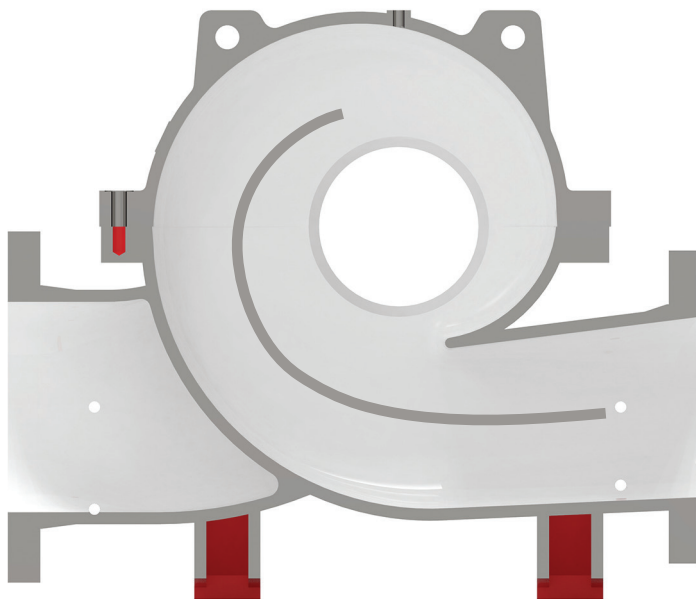
Alignment Jacking Screws Standard

Longer Life. Lower Lifecycle Cost.

The e-HSC design minimizes the span between the inboard and outboard bearings, reducing shaft deflection. This means less stress on the shaft, bearings, and seals.

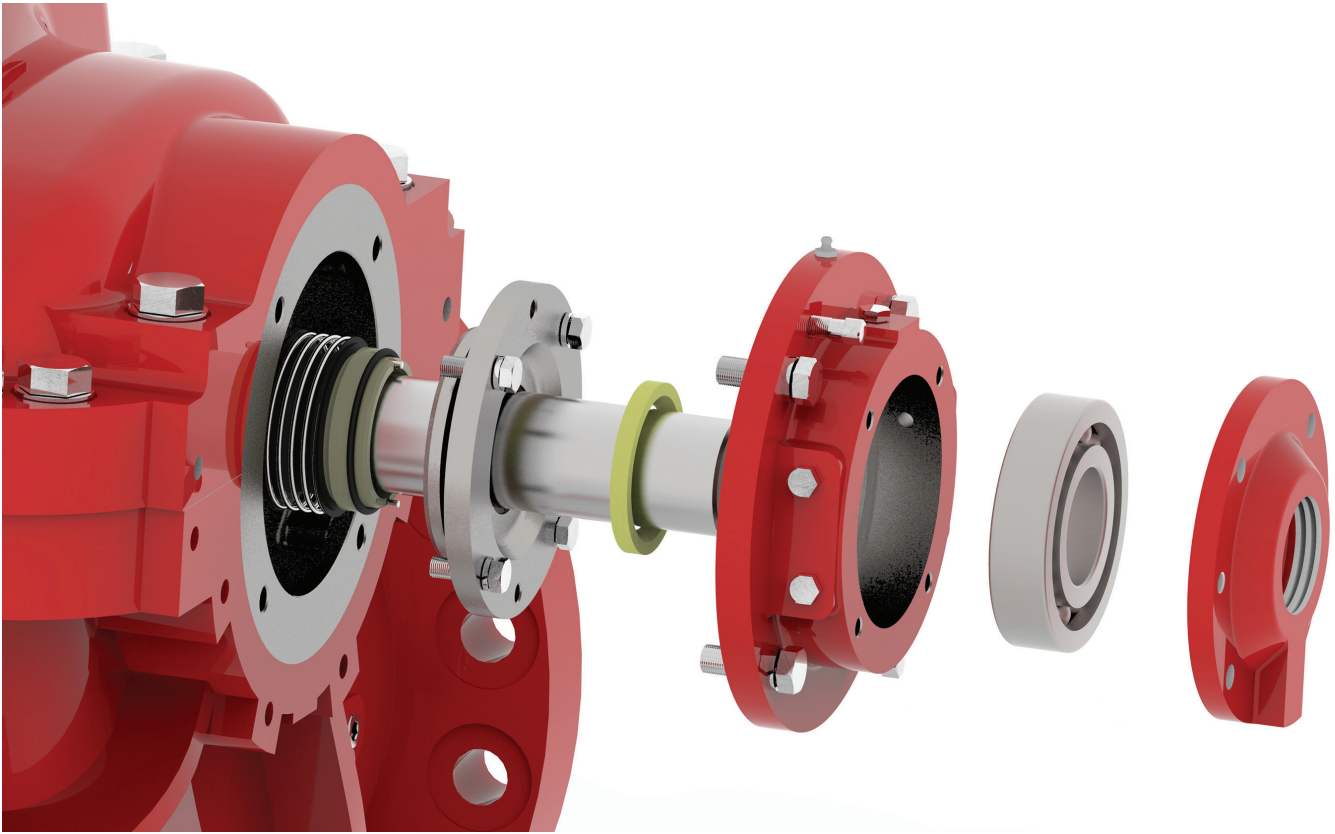


With the short shaft design and dual volute construction (where required) we maximize bearing life within the Preferred Operating Range (POR) of the pump (70% to 120% of the Best Efficiency Point) with life expectancy exceeding 100,000 hours (L10).

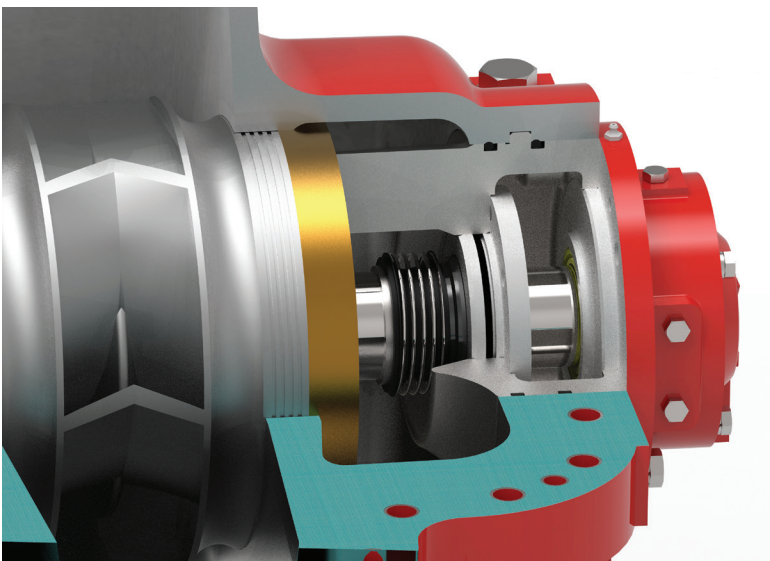


Using advanced computer simulation of all models allowed the incorporation of dual volute construction only where necessary to limit radial force, allowing for maximum bearing life while minimizing weight impact.

Easy to Maintain



With the ability to extract bearings and mechanical seals on both sides of the pump without opening the upper casing, there is no need for lifting devices, two-person jobs, or long maintenance shut-downs.

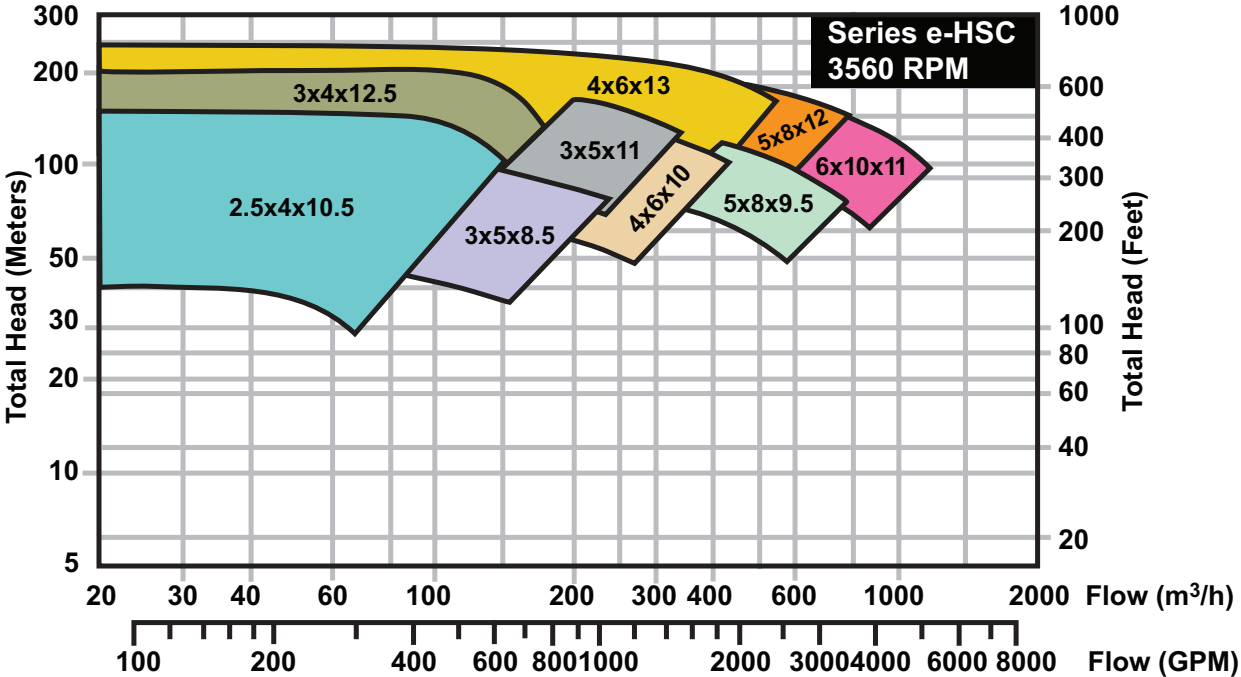
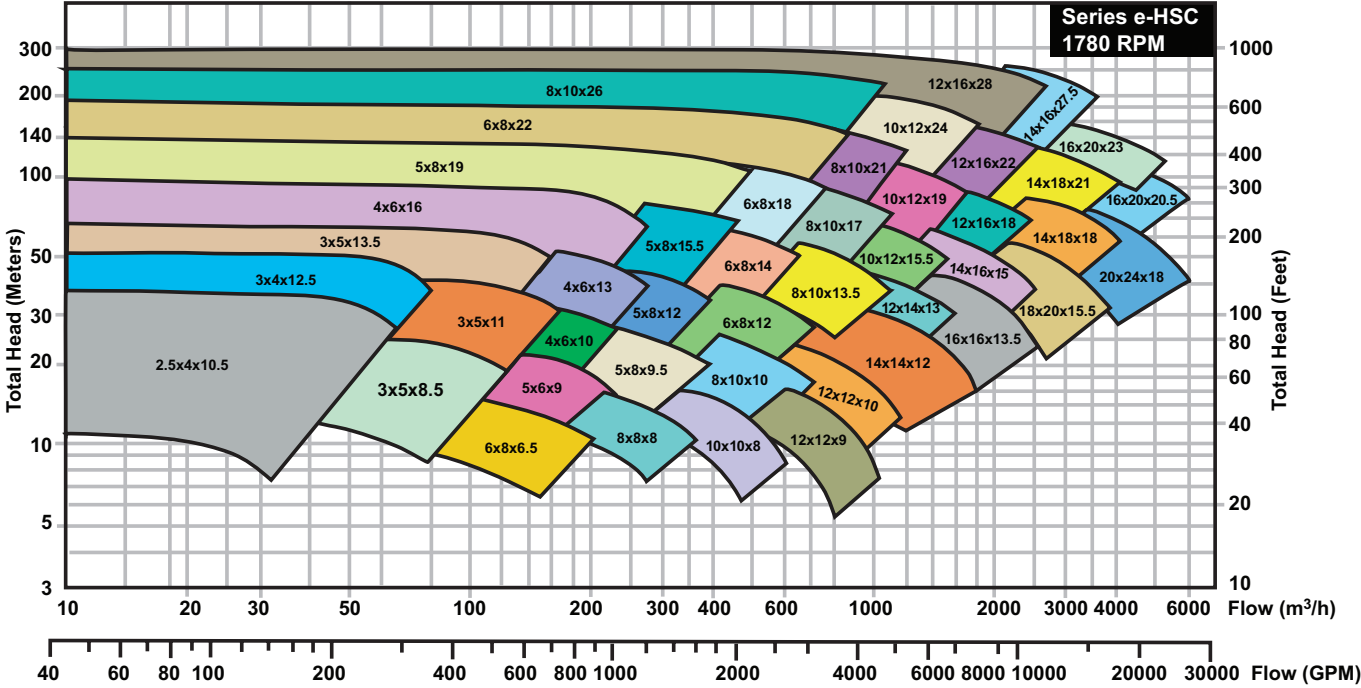


The open seal chamber configuration allows for internal seal flushing extending seal life. The mechanical seal designed specifically for this pump can handle the full incoming pressure, meaning there is no limitation on suction pressure.

Whether your requirements are for 300 gpm at 30 feet or 20,000 gpm at 200 feet, we have the right pump for you.

More pumps equals more opportunities to optimize the efficiency for your application. Each of the pictured sizes has two impeller designs for improved efficiency even at smaller trims. This means up to four times the options in the same flow range when compared to competitor offerings.

Performance Curve



For 1180 rpm curve please refer to technical brochure.

Service and support from the most trusted name in the industry – Bell & Gossett.

The Bell & Gossett name has always stood for uncompromising quality and dependability. That's evident in the way every one of our centrifugal pumps is built and backed by our outstanding customer service and support team.



Your local Bell & Gossett representative is available any time and is an experienced professional with a wealth of technical expertise. In addition to expert system and product application assistance and a wide product inventory warehoused locally, we offer ESP-Systemwize® software selection program.

ESP-Systemwize is a Bell & Gossett web-based software that helps you design HVAC systems accurately, effectively and very quickly. You get fast, precise equipment selection, pump performance curves and equipment schedules, submittals, specifications replacement parts and more.

ESP-Systemwize includes:

- Centrifugal Pumps
- Air/Dirt Separators
- Drives and Controls
- Expansion Tanks
- Heat Exchangers
- PIC Valves
- Replacement Parts
- Suction Diffuser and Triple Duty Valve
- Wastewater/Stormwater

With more than a 100 years' experience as an industry leader, we know to design, build, and support centrifugal pumps. Our hallmarks are excellence and dependability.

esp-systemwize.com

We value your feedback. Please take our 3 question survey at **bellgossett.com/survey** to let us know how we are doing.



Xylem Inc.
8200 N. Austin Avenue
Morton Grove, Illinois 60053
Phone: (847) 966-3700
Fax: (847) 965-8379
www.xylem.com/bellgossett

Bell & Gossett is a trademark of Xylem Inc. or one of its subsidiaries.
© 2019 Xylem Inc. B-320A May 2019